

# ALNA

Indoor Lighting- Recessed Lighting

**3** YEARS  
30.000 hrs  
L50

Perfect solution for supermarket,  
office building, etc

- ▶ Easy installation. Recessed
- ▶ Choose 2 designs and lengths,  
3 CCTs and 6 intensities
- ▶ Power factor: >0.9
- ▶ CRI  $\geq$ 80
- ▶ 88° or 122° light distribution
- ▶ 220-240V



## FEATURES & BENEFITS

- ▶ Two designs and lengths both made with PMMA high optical grade diffuser, and beam angle with 88° or 122° light distribution
- ▶ Three different whites in 3 different intensities
- ▶ High-efficiency: up to 110 lm/W
- ▶ Dimmable
- ▶ CRI ≥80 for a good representation of colors
- ▶ Easy installation
- ▶ Working ambient temp: -20°C to +40°C

## NORMS & CERTIFICATES

- ▶ EN 55015:2013
- ▶ EN 61000-3-2:2014
- ▶ EN 61000-3-3:2013
- ▶ EN 61547:2009
- ▶ EN 60598-1:2015
- ▶ EN62471:2008
- ▶ EN 62493:2010
- ▶ EN 62031:2008



## LIFETIME & WARRANTY

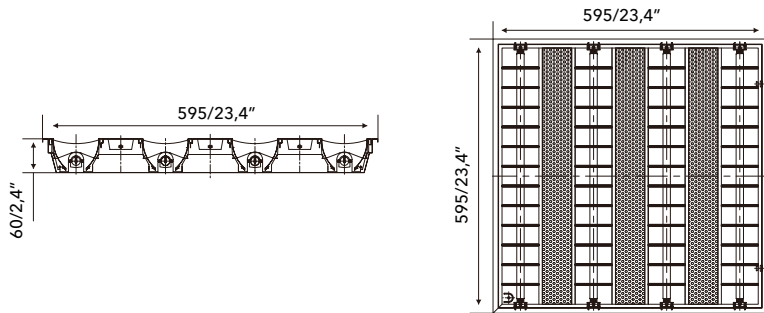
- ▶ Warranty: 3 years
- ▶ Lifetime: 30.000 hrs at L50

## PACKAGING

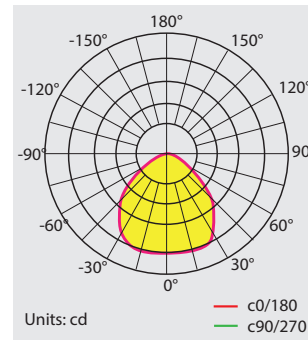
	Type	SIZE - LxWxH (cm)	SIZE - LxWxH (ft)	Weight (Kg)	Weight (Lb)	Nb of Pcs / box
CARTON	ALNA 409C-412C	65x63x15	2,1x2,06x0,5	8,4	18,5	2
	ALNA 412D-415D	123x63x20	4,0x2,06x0,6	16,5	36,4	2

## DIMENSIONS

ALNA 409C, 410C, 412C



## LIGHT DISTRIBUTION



## TECHNICAL DATA

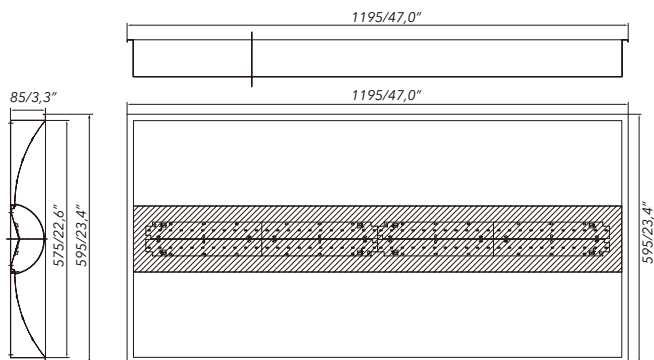
Code	Designation	Input voltage (V)	Power (W)	Lumen output (lm)	Efficiency (Lm/W)	Color Temp (K)	CRI	Beam Angle (°)	Housing	Net Weight (Kg/Lb)
NC	ALNA 409C 595 x 595 36W WDL I80 220-240V	220-240	36	3100	84	2850-3150	>80	88	Gloss white	3,7/8,2
NC	ALNA 409C 595 x 595 36W NW I80 220-240V	220-240	36	3100	84	3850-4150	>80	88	Gloss white	3,7/8,2
NC	ALNA 409C 595 x 595 36W WW I80 220-240V	220-240	36	3100	84	5750-6250	>80	88	Gloss white	3,7/8,2
NC	ALNA 410C 595 x 595 37W WDL I80 220-240V	220-240	37	3000	81	2850-3150	>80	88	Gloss white	3,7/8,2
21340001	ALNA 410C 595 x 595 37W NW I80 220-240V	220-240	37	3000	81	3850-4150	>80	88	Gloss white	3,7/8,2
NC	ALNA 410C 595 x 595 37W WW I80 220-240V	220-240	37	3000	81	5750-6250	>80	88	Gloss white	3,7/8,2
NC	ALNA 412C 595 x 595 48W WDL I80 220-240V	220-240	48	4000	83	2850-3150	>80	88	Gloss white	3,7/8,2
NC	ALNA 412C 595 x 595 48W NW I80 220-240V	220-240	48	4000	83	3850-4150	>80	88	Gloss white	3,7/8,2
NC	ALNA 412C 595 x 595 48W WW I80 220-240V	220-240	48	4000	83	5750-6250	>80	88	Gloss white	3,7/8,2

\*Tolerance range for optical and electrical data: ±15 %.

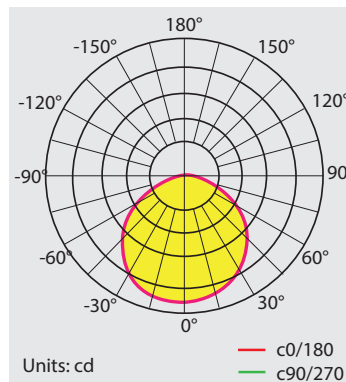


## DIMENSIONS

### ALNA 412D-415D



## LIGHT DISTRIBUTION



## TECHNICAL DATA

Code	Designation	Input voltage (V)	Power (W)	Lumen output (lm)	Efficiency (Lm/W)	Color Temp (K)	CRI	Beam Angle (°)	Housing	Net Weight (Kg/Lb)
NC	ALNA 412D 1195 x 595 48W WDL I80 220-240V	220-240	48	5280	110	2850-3150	>80	122	Gloss white	7,0/15,4
NC	ALNA 412D 1195 x 595 48W NW I80 220-240V	220-240	48	5280	110	3850-4150	>80	122	Gloss white	7,0/15,4
NC	ALNA 412D 1195 x 595 48W WW I80 220-240V	220-240	48	5280	110	5750-6250	>80	122	Gloss white	7,0/15,4
NC	ALNA 413D 1195 x 595 50W WDL I80 220-240V	220-240	50	5500	110	2850-3150	>80	122	Gloss white	7,0/15,4
21340003	ALNA 413D 1195 x 595 50W NW I80 220-240V	220-240	50	5500	110	3850-4150	>80	122	Gloss white	7,0/15,4
NC	ALNA 413D 1195 x 595 50W WW I80 220-240V	220-240	50	5500	110	2850-3150	>80	122	Gloss white	7,0/15,4
NC	ALNA 414D 1195 x 595 54W WDL I80 220-240V	220-240	54	5886	109	5750-6250	>80	122	Gloss white	7,0/15,4
21340004	ALNA 414D 1195 x 595 54W NW I80 220-240V	220-240	54	5886	109	3850-4150	>80	122	Gloss white	7,0/15,4
NC	ALNA 414D 1195 x 595 54W WW I80 220-240V	220-240	54	5886	109	2850-3150	>80	122	Gloss white	7,0/15,4
NC	ALNA 415D 1195 x 595 60W WDL I80 220-240V	220-240	60	6600	110	2850-3150	>80	122	Gloss white	7,0/15,4
NC	ALNA 415D 1195 x 595 60W NW I80 220-240V	220-240	60	6600	110	3850-4150	>80	122	Gloss white	7,0/15,4
NC	ALNA 415D 1195 x 595 60W WW I80 220-240V	220-240	60	6600	110	5750-6250	>80	122	Gloss white	7,0/15,4

\*Tolerance range for optical and electrical data: ±15 %.

